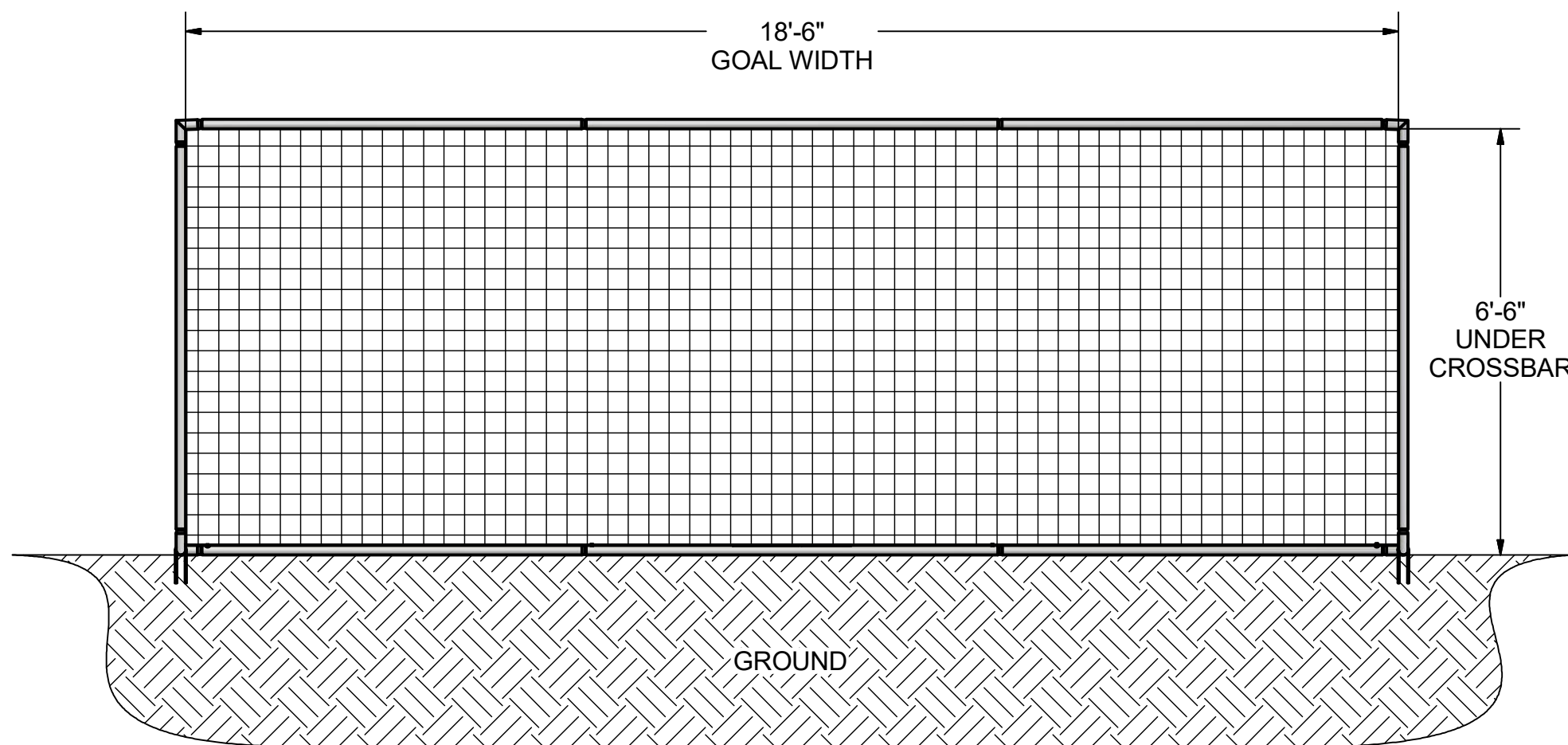
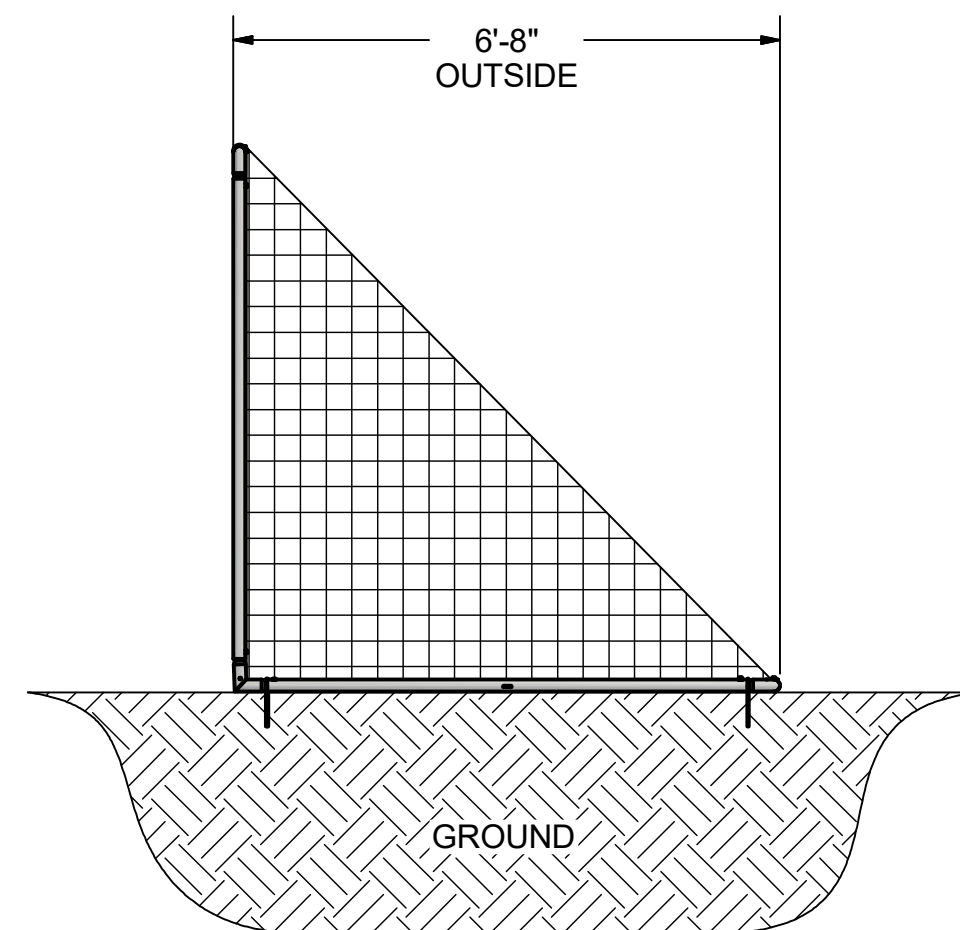


FRONT VIEW

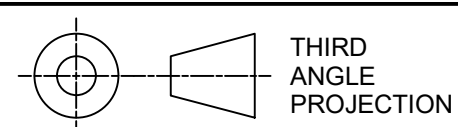


SIDE VIEW



FEATURES:

- 1) ALUMINUM GOAL FRAME
- 2) FINISH: POWDER COATED WHITE
- 3) INCLUDED:
  - 2.4mm WHITE NET
  - "U" ANCHORS
  - NET FASTENERS
- 4) ASSEMBLED WEIGHT: 58 LBS.
- 5) EXCEEDS:
  - ASTM F2950-14 STANDARDS



THIRD ANGLE PROJECTION

**KWIKGOAL**® 140 Pacific Drive  
Quakertown, Pa. 18951

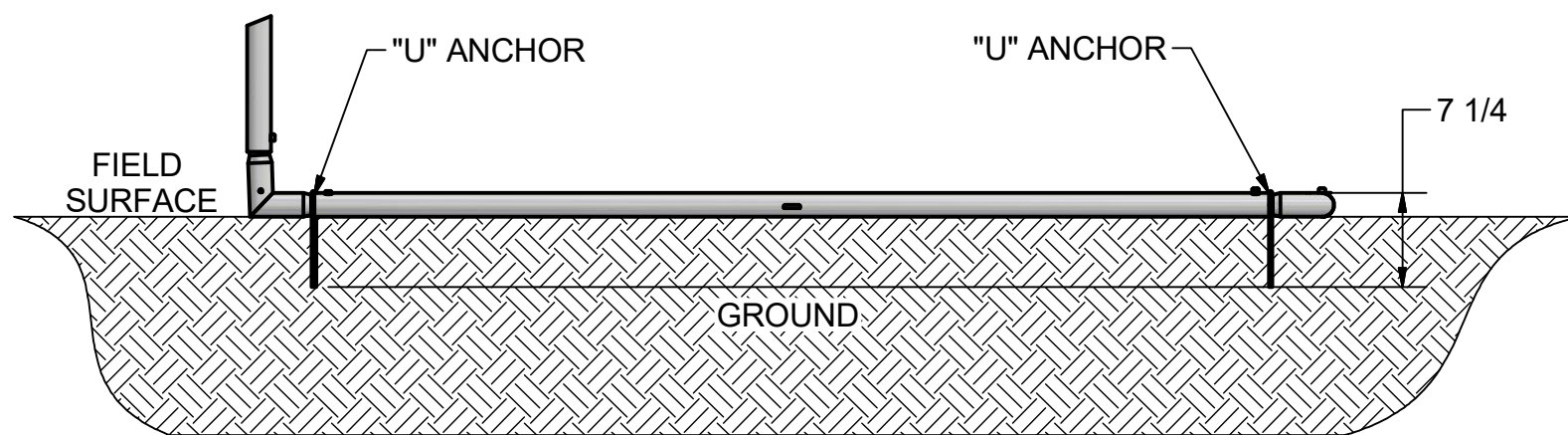
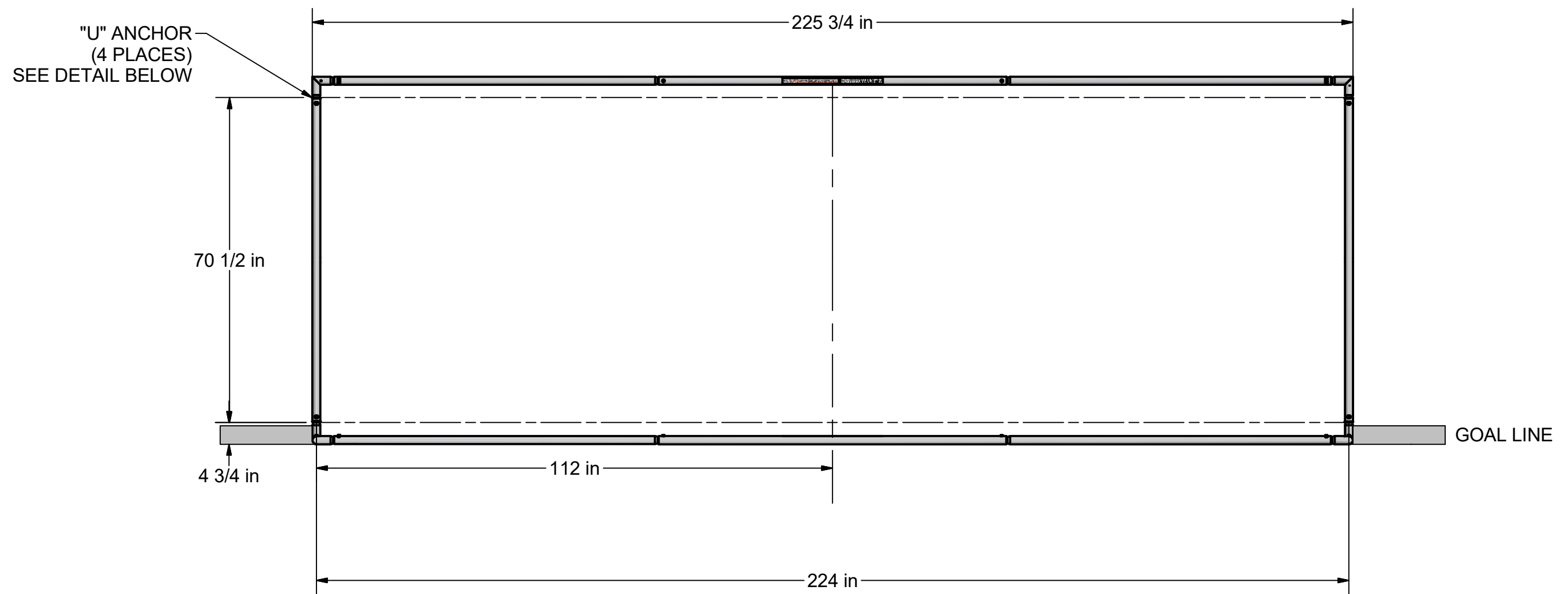
DIMENSIONS ARE IN INCHES UNLESS OTHERWISE SPECIFIED

This item is the **exclusive** property of **KWIK GOAL LTD.** Reproduction or duplication **without** the express written consent of **KWIK GOAL LTD.** is **strictly forbidden.**

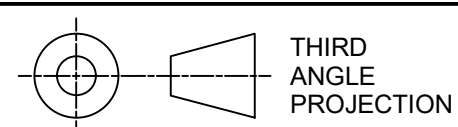
Approved By:  
Date:  
Drawn By: jwillenbecher  
Date: 4/21/2016  
Sheet: 1 of 4  
Revision #:  
Cad File: 2B4004.idw

Part #:  
**2B4004**  
Desc:  
KWIK GOAL NXT  
6-1/2' X 18-1/2'

OVERHEAD VIEW



ANCHOR DETAILS  
(4 PLACES)



THIRD  
ANGLE  
PROJECTION

**KWIKGOAL**® 140 Pacific Drive  
Quakertown,  
Pa. 18951

DIMENSIONS ARE IN INCHES  
UNLESS OTHERWISE SPECIFIED

Approved By:

Part #:

Date:

2B4004

This item is the **exclusive**  
property of **KWIK GOAL LTD.**  
Reproduction or duplication  
**without** the express written  
consent of **KWIK GOAL LTD.**  
is **strictly forbidden.**

Drawn By: jwillenbecher

Desc:

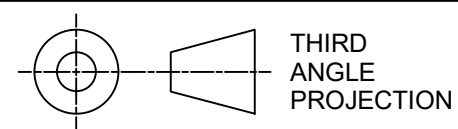
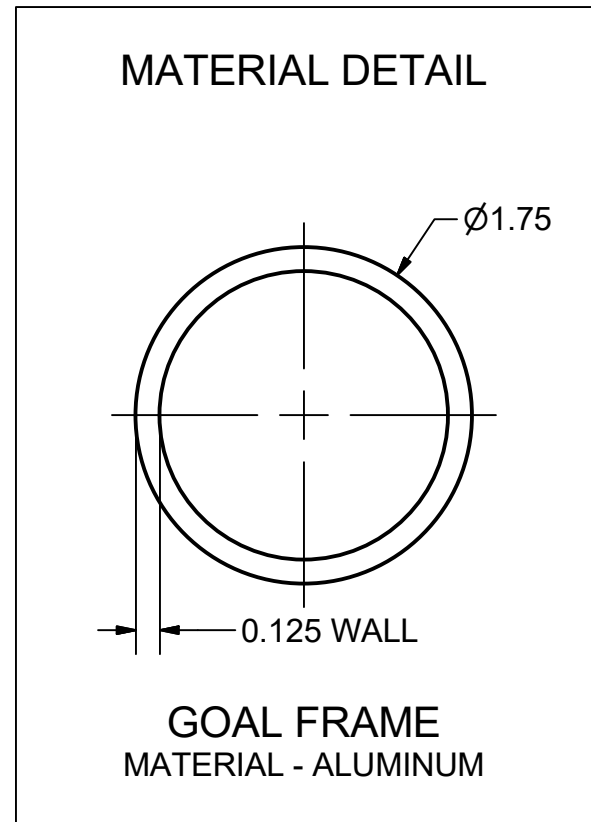
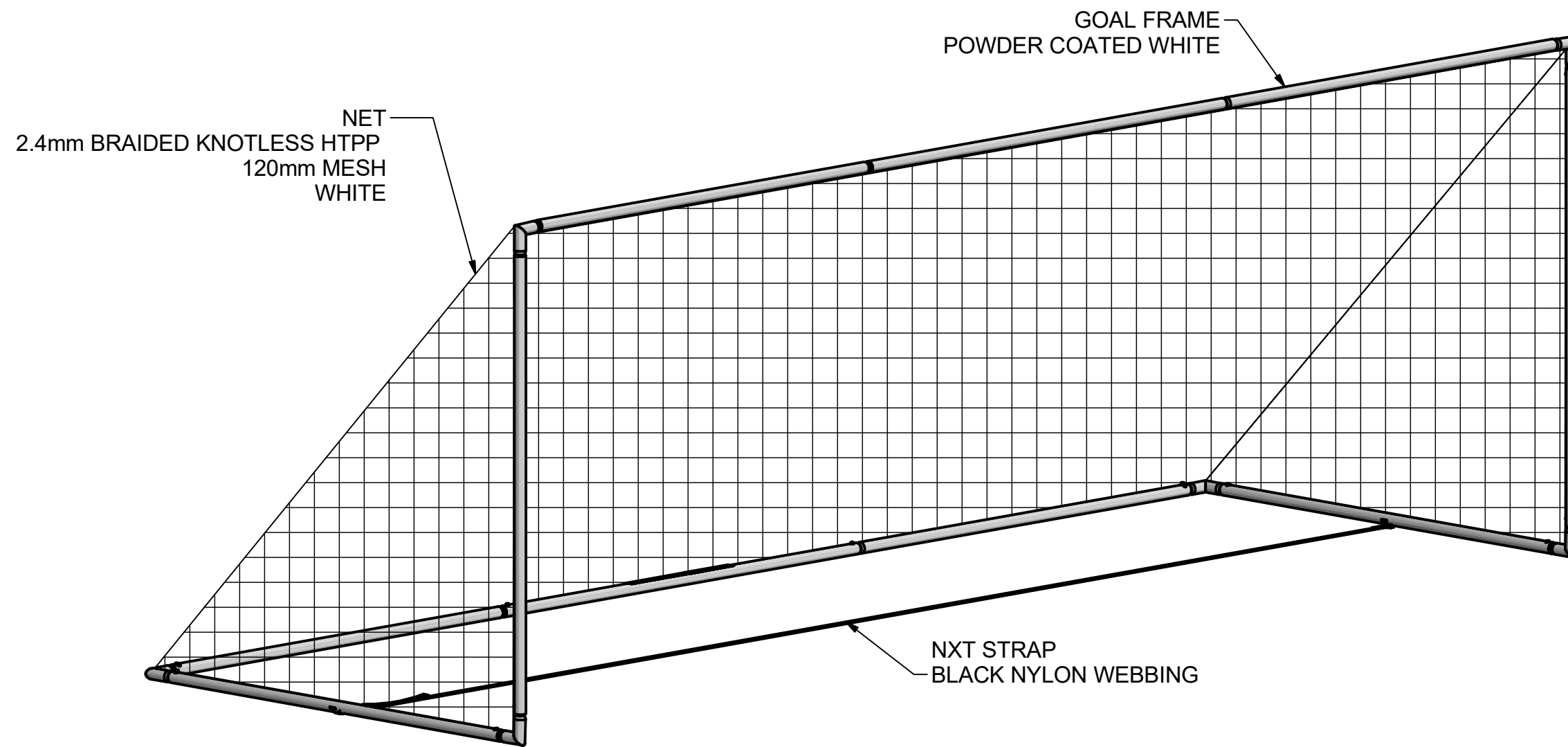
Date: 4/21/2016

KWIK GOAL NXT  
6-1/2' X 18-1/2'

Sheet: 2 of 4

Revision #:

Cad File: 2B4004.idw



**KWIKGOAL**® 140 Pacific Drive  
Quakertown,  
Pa. 18951

DIMENSIONS ARE IN INCHES  
UNLESS OTHERWISE SPECIFIED

Approved By:

Part #:

Date:

2B4004

This item is the **exclusive**  
property of **KWIK GOAL LTD.**  
Reproduction or duplication  
**without** the express written  
consent of **KWIK GOAL LTD.**  
is **strictly forbidden.**

Drawn By: jwillenbecher

Desc:

Date: 4/21/2016

KWIK GOAL NXT  
6-1/2' X 18-1/2'

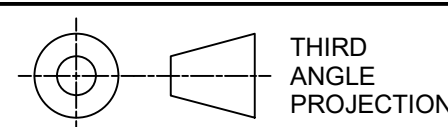
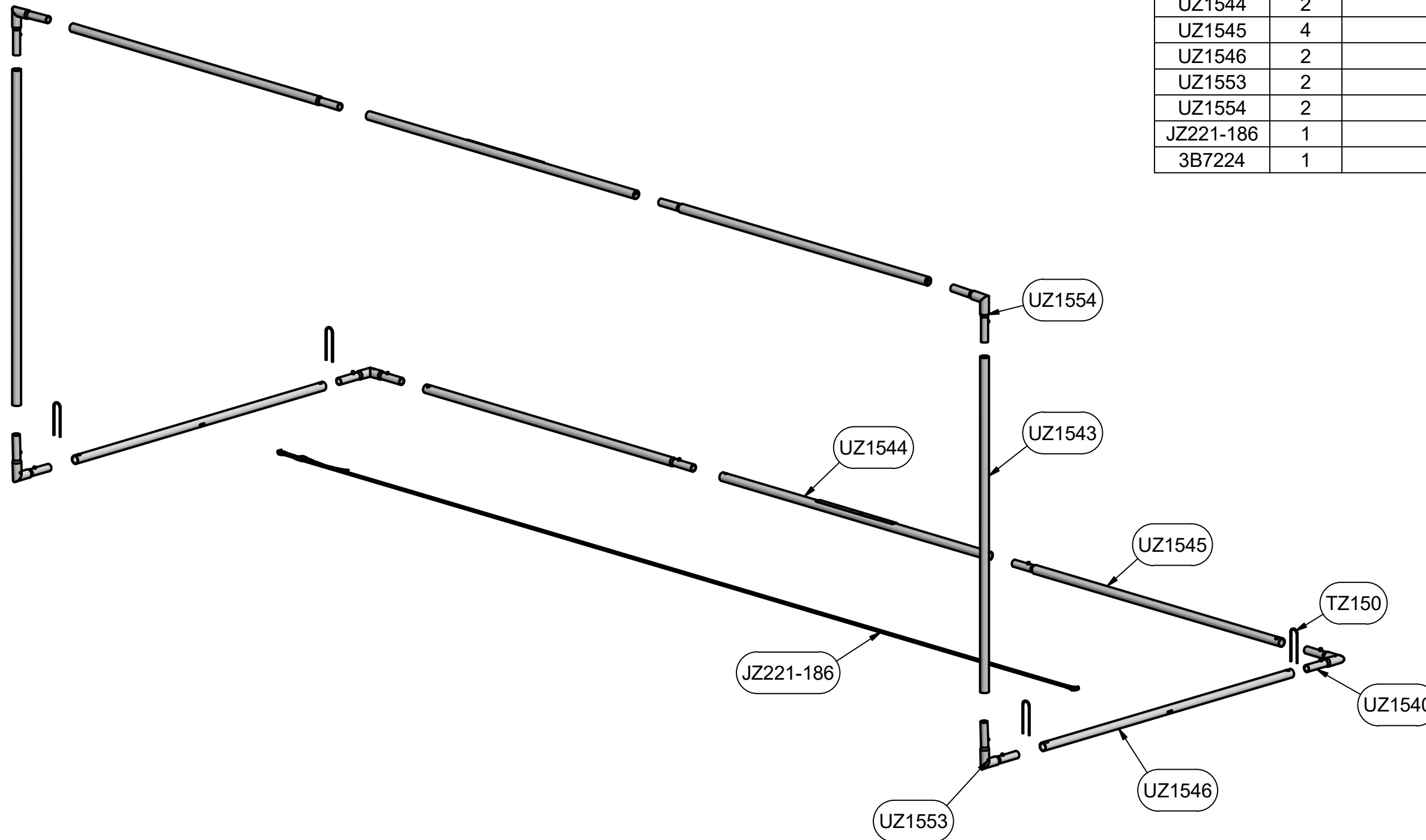
Sheet: 3 of 4

Revision #:

Cad File: 2B4004.idw

PARTS LIST

PART#	QTY	DESCRIPTION
TZ150	4	"U" ANCHOR
UZ1540	2	CROSSBAR CORNER 90°
UZ1543	2	POST
UZ1544	2	CROSSBAR
UZ1545	4	CROSSBAR SWAGE
UZ1546	2	BASE
UZ1553	2	POST CORNER 92°
UZ1554	2	CROSSBAR CORNER 92°
JZ221-186	1	KWIK GOAL NXT STRAP
3B7224	1	NET, SOCCER GOAL



**KWIKGOAL**® 140 Pacific Drive  
Quakertown, Pa. 18951

DIMENSIONS ARE IN INCHES  
UNLESS OTHERWISE SPECIFIED

Approved By:  
Date:

Part #:  
**2B4004**

This item is the **exclusive** property of **KWIK GOAL LTD.** Reproduction or duplication **without** the express written consent of **KWIK GOAL LTD.** is **strictly forbidden.**

Drawn By: jwillenbecher  
Date: 4/21/2016  
Sheet: 4 of 4  
Revision #:  
Cad File: 2B4004.idw

Desc:  
KWIK GOAL NXT  
6-1/2' X 18-1/2'